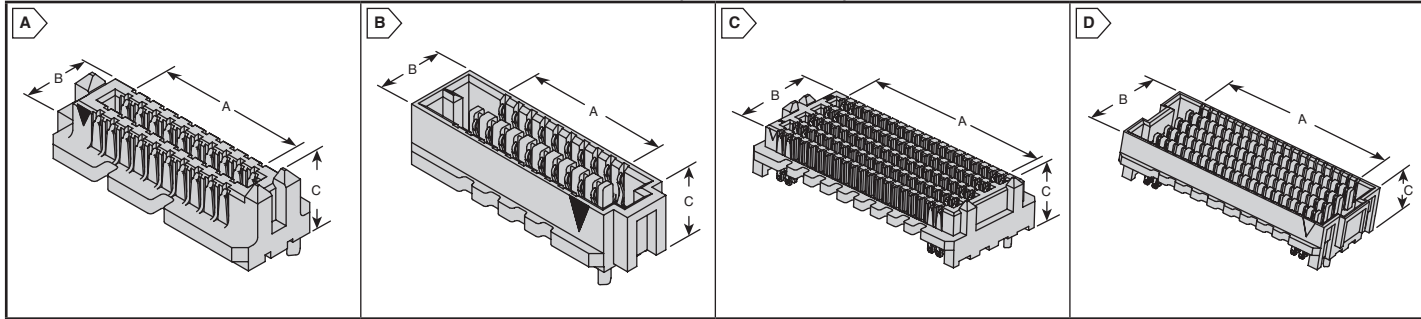


MOLEX 1.27mm SEARAY* Connectors

molex
one company a world of innovation

RoHS Compliant This product is RoHS compliant.



1.27MM (.050") SEARAY* SLIM CONNECTORS

* SEARAY is a trademark of Samtec, Inc.

SEARAY* Slim pushes the envelope of the SEARAY product family, offering a 4-row solution that is a narrower version of the existing SEARAY* housings. Because Slim features Molex's patented solder-charge technology and can pack tighter signal density into a 1.27mm pitch, the connector width is equivalent to that of a standard 2-row SMT product.

Features:

- Data Rates up to 12.5Gbps
- Multiple stack heights
- Robust contact design
- Molex's unique and patented solder-charge technology

Specifications:

- Voltage: 250V AC per
- Current: 2.7A per contact
- Housing: Glass-filled LCP UL 94V-0
- Operating Temperature: -55°C to + 125°C

- Contact Plating: Contact Area - 0.75µm Gold min.
Solder Tail Area - 3.80µm Tin min.
Underplating - 1.25µm Nickel min. overall



RoHS Compliant

For quantities greater than listed, call for quote.

MOUSER STOCK NO.	Molex Part No.	Fig.	Circuit Size	Gender	Stack Height	Dimensions: mm			Price Each			
						A	B	C	1	10	100	
4 Row												
538-46556-1145	46556-1145	A	40	Plug	3.5mm	11.43	7.06	5.61	10.07	8.42	7.72	
538-46556-1745	46556-1745	A	40	Plug	8.5mm	11.43	7.06	10.61	13.18	9.90	8.67	
538-46557-1145	46557-1145	B	40	Receptacle	3.5mm	11.43	7.06	5.05	8.46	7.07	6.50	
538-46557-1545	46557-1545	B	40	Receptacle	6.5mm	11.43	7.06	8.05	13.60	11.02	8.03	
538-46556-2145	46556-2145	A	80	Plug	3.5mm	24.13	7.06	5.61	12.01	10.03	9.20	
538-46556-2745	46556-2745	A	80	Plug	8.5mm	24.13	7.06	10.61	9.76	8.17	7.48	
538-46557-2145	46557-2145	B	80	Receptacle	3.5mm	24.13	7.06	5.05	9.79	8.19	7.51	
538-46557-2545	46557-2545	B	80	Receptacle	6.5mm	24.13	7.06	8.05	9.76	8.17	7.48	
538-46556-3145	46556-3145	A	120	Plug	3.5mm	36.83	7.06	5.61	13.95	11.66	10.42	
538-46556-3745	46556-3745	A	120	Plug	8.5mm	36.83	7.06	10.61	13.95	11.66	10.42	
538-46557-3145	46557-3145	B	120	Receptacle	3.5mm	36.83	7.06	5.05	13.95	11.66	10.42	
538-46557-3545	46557-3545	B	120	Receptacle	6.5mm	36.83	7.06	8.05	14.65	12.24	10.94	
538-46556-4145	46556-4145	A	160	Plug	3.5mm	49.53	7.06	5.61	16.25	13.58	12.22	
538-46556-4745	46556-4745	A	160	Plug	8.5mm	49.53	7.06	10.61	18.62	15.56	14.00	
538-46557-4145	46557-4145	B	160	Receptacle	3.5mm	49.53	7.06	5.05	16.50	15.56	14.00	
538-46557-4545	46557-4545	B	160	Receptacle	6.5mm	49.53	7.06	8.05	18.62	15.56	14.00	
538-46556-5145	46556-5145	A	200	Plug	3.5mm	62.23	7.06	5.61	20.67	17.01	15.24	
538-46556-5745	46556-5745	A	200	Plug	8.5mm	62.23	7.06	10.61	22.98	18.91	16.95	
538-46557-5145	46557-5145	B	200	Receptacle	3.5mm	62.23	7.06	5.05	21.18	18.91	16.95	
538-46557-5545	46557-5545	B	200	Receptacle	6.5mm	62.23	7.06	8.05	21.18	18.91	16.95	

Rectangular Connectors Molex

1.27MM (.050") SEARAY* CONNECTORS

The SEARAY* board to board connector is designed for applications with High pin-count devices or memory modules that are mounted on mezzanine or module PCBs.

Features:

- Data Rates up to 12.5Gbps
- Multiple stack heights
- Robust contact design
- Molex's unique and patented solder-charge technology

Specifications:

- Voltage: 250V AC per
- Current: 2.7A per contact
- Housing: Glass-filled LCP UL 94V-0
- Operating Temperature: -55°C to + 125°C

- Contact Plating: Contact Area - 0.75µm Gold min.
Solder Tail Area - 3.80µm Tin min.
Underplating - 1.25µm Nickel min. overall



RoHS Compliant

For quantities greater than listed, call for quote.

MOUSER STOCK NO.	Molex Part No.	Fig.	Circuit Size	Gender	Stack Height	Dimensions: mm			Price Each			
						A	B	C	1	10	100	
8 Row												
538-45970-3185	45970-3185	C	240	Plug	3.5mm	36.83	12.14	5.61	23.87	20.23	18.71	
538-45970-3385	45970-3385	C	240	Plug	5.0mm	36.83	12.14	7.11	19.89	16.86	15.59	
538-45971-3185	45971-3185	D	240	Receptacle	3.5mm	36.83	12.14	5.05	17.48	15.46	14.30	
538-45971-3385	45971-3385	D	240	Receptacle	5.0mm	36.83	12.14	6.55	18.36	16.23	15.01	
538-45970-4185	45970-4185	C	320	Plug	3.5mm	49.53	12.14	5.61	25.08	21.71	18.65	
538-45970-4385	45970-4385	C	320	Plug	5.0mm	49.53	12.14	7.11	27.81	24.07	20.69	
538-45971-4185	45971-4185	D	320	Receptacle	3.5mm	49.53	12.14	5.05	25.40	23.42	20.14	
538-45971-4385	45971-4385	D	320	Receptacle	5.0mm	49.53	12.14	6.55	27.06	23.42	20.14	
10 Row												
538-45970-2115	45970-2115	C	200	Plug	3.5mm	24.13	14.68	5.61	19.60	17.22	15.04	
538-45970-2715	45970-2715	C	200	Plug	8.5mm	24.13	14.68	10.61	19.60	17.22	15.04	
538-45971-2115	45971-2115	D	200	Receptacle	3.5mm	24.13	14.68	5.05	17.66	17.22	16.36	
538-45971-2515	45971-2515	D	200	Receptacle	6.5mm	24.13	14.68	8.05	17.66	17.22	16.36	
538-45970-3115	45970-3115	C	300	Plug	3.5mm	36.83	14.68	5.61	21.12	18.07	16.14	
538-45970-3715	45970-3715	C	300	Plug	8.5mm	36.83	14.68	10.61	21.12	18.07	16.14	
538-45971-3115	45971-3115	D	300	Receptacle	3.5mm	36.83	14.68	5.05	29.02	26.68	23.21	
538-45971-3515	45971-3515	D	300	Receptacle	6.5mm	36.83	14.68	8.05	21.18	19.46	16.93	
538-45970-4115	45970-4115	C	400	Plug	3.5mm	49.53	14.68	5.61	37.58	33.04	28.87	
538-45970-4715	45970-4715	C	400	Plug	8.5mm	49.53	14.68	10.61	29.86	26.25	23.66	
538-45971-4115	45971-4115	D	400	Receptacle	3.5mm	49.53	14.68	5.05	28.22	27.53	24.05	
538-45971-4515	45971-4515	D	400	Receptacle	6.5mm	49.53	14.68	8.05	28.22	27.53	24.05	
538-45970-5115	45970-5115	C	500	Plug	3.5mm	62.23	14.68	5.61	37.89	32.59	30.08	
538-45970-5715	45970-5715	C	500	Plug	8.5mm	62.23	14.68	10.61	37.89	32.59	30.73	
538-45971-5115	45971-5115	D	500	Receptacle	3.5mm	62.23	14.68	5.05	35.30	32.59	30.08	
538-45971-5515	45971-5515	D	500	Receptacle	6.5mm	62.23	14.68	8.05	35.30	32.59	30.08	